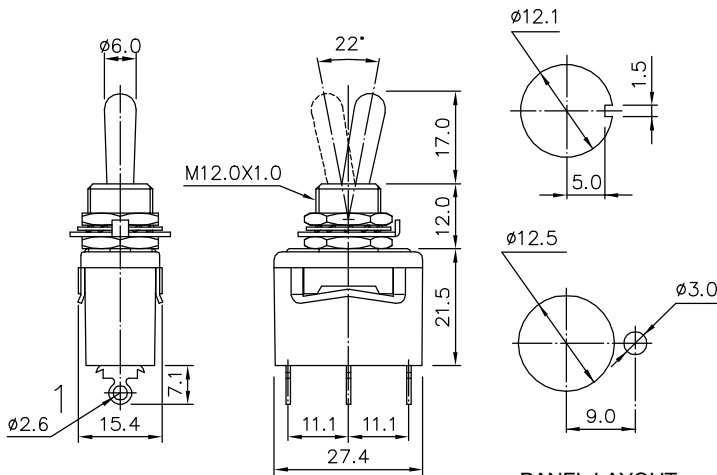


## 601X SERIES



PANEL LAYOUT

## SPECIFICATION

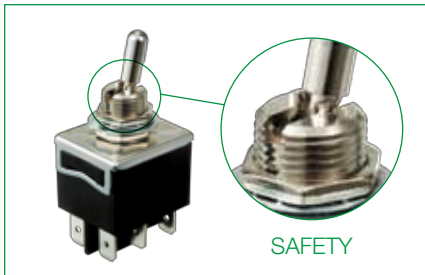


RATING	: 16A 125VAC , 10A 277VAC (UL,C-UL) 16(6)A 250V~T125 (ENEC)
INSULATION RESISTANCE	: DC 500V 100M $\Omega$ OR MORE
CONTACT RESISTANCE	: DC 2-4V 1A 20m $\Omega$ OR LESS
WITHSTAND VOLTAGE	: AC 1500V FOR 1 Min
AMBIENT TEMPERATURE	: 0 °C TO 125 °C
ELECTRICAL LIFE	: 10,000 CYCLES

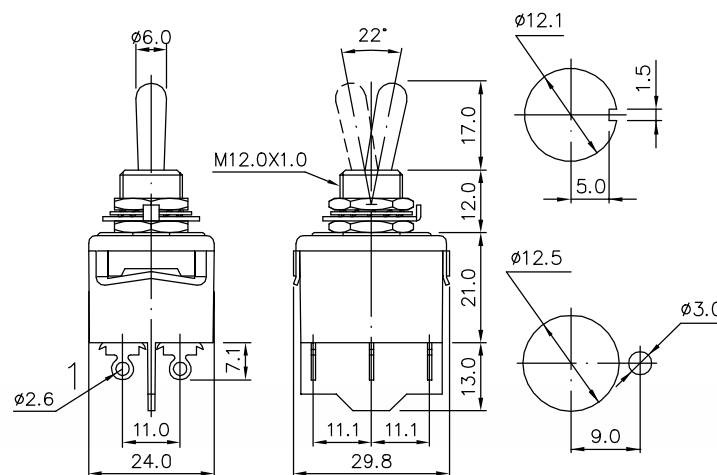
## HOW TO ORDER

601  -  -  -

SWITCH FUNCTION	SHAFT	RATING	TERMINAL
6011 : ON-OFF(UL, C-UL)	K1: $\phi 5.8$ 17.0	C1 : 16(6)A 250VAC	T1: $\phi 2.6$
6012 : ON-ON(UL, C-UL)			T2: 6.35x10.8
6013 : ON-OFF-ON	K2: $\phi 5.8$ 14.0		T3:
6014 : (ON)-OFF			
6015 : ON-(ON)			
6016 : (ON)-OFF-(ON)			
6017 : ON-OFF-(ON)			



## 602X SERIES



PANEL LAYOUT

## SPECIFICATION



RATING	: 16A 125VAC , 10A 277VAC (UL,C-UL) 16(6)A 250V~ T125 (ENEC)
INSULATION RESISTANCE	: DC 500V 100M $\Omega$ OR MORE
CONTACT RESISTANCE	: DC 2-4V 1A 20m $\Omega$ OR LESS
WITHSTAND VOLTAGE	: AC 1500V FOR 1 Min
AMBIENT TEMPERATURE	: 0 °C TO 125 °C
ELECTRICAL LIFE	: 10,000 CYCLES

## HOW TO ORDER

602  -  -  -

SWITCH FUNCTION	SHAFT	RATING	TERMINAL
6021 : ON-OFF(UL, C-UL)	K1: $\phi 5.8$ 17.0	C1 : 16(6)A 250VAC	T1: $\phi 2.6$
6022 : ON-ON(UL, C-UL)			T2: 6.35x10.8
6023 : ON-OFF-ON	K2: $\phi 5.8$ 14.0		T3:
6024 : (ON)-OFF			
6025 : ON-(ON)			
6026 : (ON)-OFF-(ON)			
6027 : ON-OFF-(ON)			