



**BTK - 3P**



Φ9.0 x 5.0(h) mm

ORDERING CODE: **B T K - 3 P**

① ② ③ ④

① Magnetic Buzzer

② Series Number

③ Rated Voltage

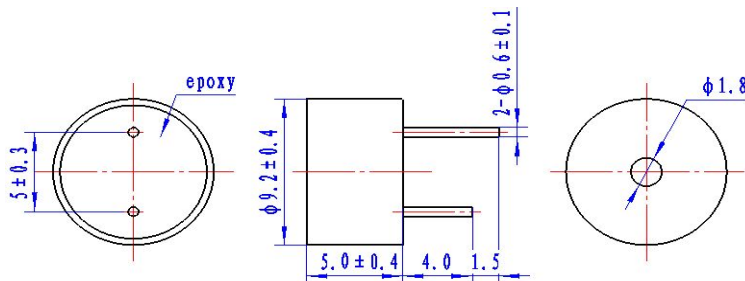
④ None: Pin type,

NO	SPECIFICATION	DATA
1	Rated Voltage (V)	3
2	Operating Voltage (V)	2~5
4	Resonant Frequency (Hz)	2700±300
5	*Sound Output at 10cm (dB)	Min 80
6	*Current Consumption (mA)	Max 30
7	Operating Temperature (°C)	-20 ~ +70
8	Storage Temperature (°C)	-30 ~ +80
9	Weight (g)	1g
10	Housing Material	ppo
11	RoHS	YES
12	Packing Quantity	100pcs/box

\*Applying rated voltage (Resonant frequency, 1/2 duty, Square wave)

**DIENSIONS (unit : mm)**

Tolerance: ±0.5mm Except Specified





## BTK – 5P



**Φ9.0 x 5.0(h) mm**

**ORDERING CODE: B T K - 5 P**

① ② ③ ④

① **Magnetic Buzzer**

② **Series Number**

③ **Rated Voltage**

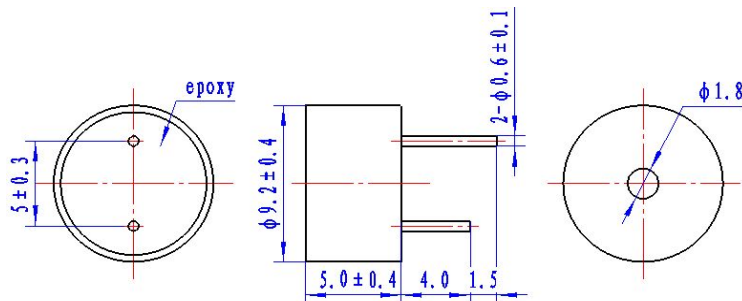
④ **None: Pin type,**

NO	SPECIFICATION	DATA
1	Rated Voltage (V)	5
2	Operating Voltage (V)	3 ~ 7
4	Resonant Frequency (Hz)	2700±300
5	*Sound Output at 10cm (dB)	Min 85
6	*Current Consumption (mA)	Max 30
7	Operating Temperature (°C)	-20 ~ +70
8	Storage Temperature (°C)	-30 ~ +80
9	Weight (g)	1g
10	Housing Material	ppo
11	RoHS	YES
12	Packing Quantity	100pcs/box

\*Applying rated voltage (Resonant frequency, 1/2 duty, Square wave)

### DIENSIONS (unit : mm)

Tolerance: ±0.5mm Except Specified





**BTK - 12P**



Φ9.0 x 5.0(h)mm

ORDERING CODE: **B T K - 12 P**

① ② ③ ④

① Magnetic Buzzer

② Series Number

③ Rated Voltage

④ None: Pin type,

NO	SPECIFICATION	DATA
1	Rated Voltage (V)	12
2	Operating Voltage (V)	8~15
4	Resonant Frequency (Hz)	2700±300
5	*Sound Output at 10cm (dB)	Min 80
6	*Current Consumption (mA)	Max 30
7	Operating Temperature (°C)	-20 ~ +70
8	Storage Temperature (°C)	-30 ~ +80
9	Weight (g)	1g
10	Housing Material	ppo
11	RoHS	YES
12	Packing Quantity	100pcs/box

\*Applying rated voltage (Resonant frequency, 1/2 duty, Square wave)

**DIENSIONS (unit : mm)**

Tolerance: ±0.5mm Except Specified

