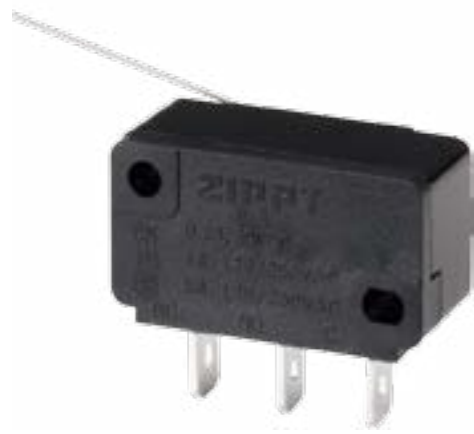
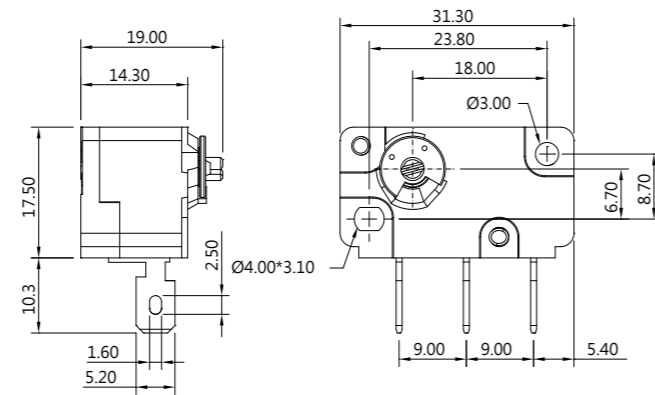


LOW TORQUE SWITCHES

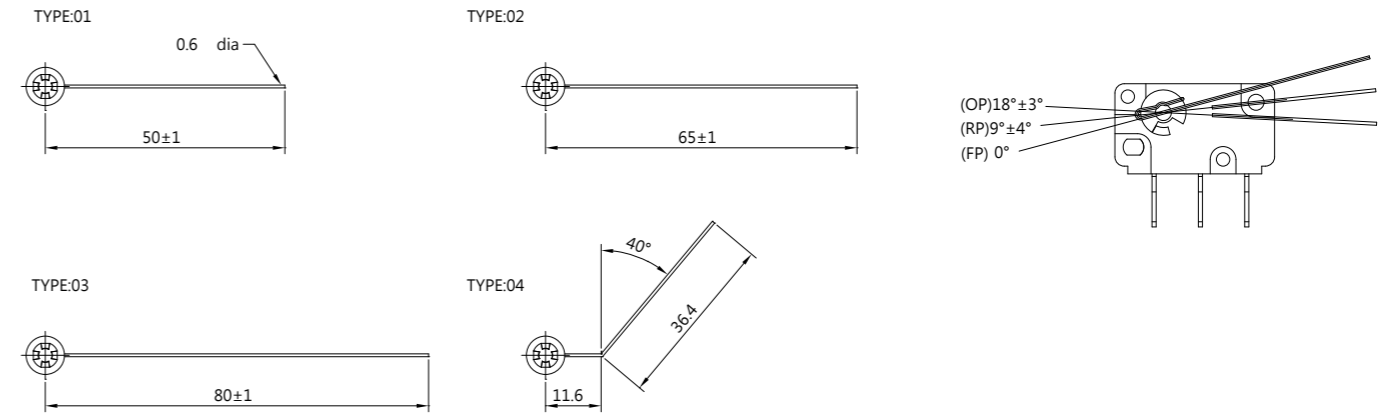


DIMENSIONS

Unless otherwise specified, a tolerance of $\pm 0.4\text{mm}$ applies to all dimensions.



ACTUATOR TYPES



CNR SERIES

SPECIFICATIONS

Insulation Resistance (at 500 VDC / minute)

Min. 100 M Ω
Measured by ohm meter –open voltage < 1 VDC, driver current -100 mA

Dielectric Strength

1000 VAC(50~ 60 Hz)

Storage Temperature Range

-25°C to 85°C (with no icing)

Storage Humidity

At 40°C , Max. 85% R.H

Operating Temperature Range

-40°C to 85°C (with no icing)

Vibration

10~55 Hz, displacement 0.75 mm(p-p)

Electrical Service Life

Min. 6,000 operations

Electrical Operating Frequency

10~30 operations per minute

Mechanical Service Life

Min. 10,000,000 operations

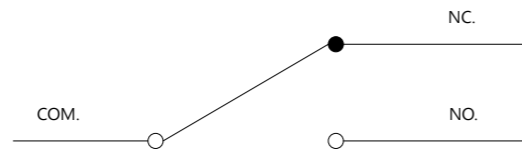
Mechanical Operating Frequency

120 operations per minute

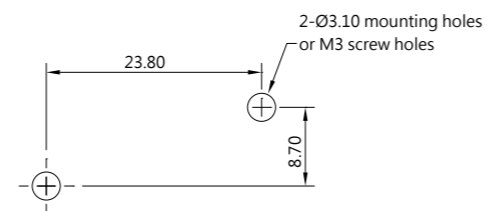
APPLICATIONS

TV Game, Vending Machine, Coin-op Phone, Pin-Ball Game

CONTACT CONFIGURATION



MOUNTING HOLES



CERTIFICATE INFORMATION

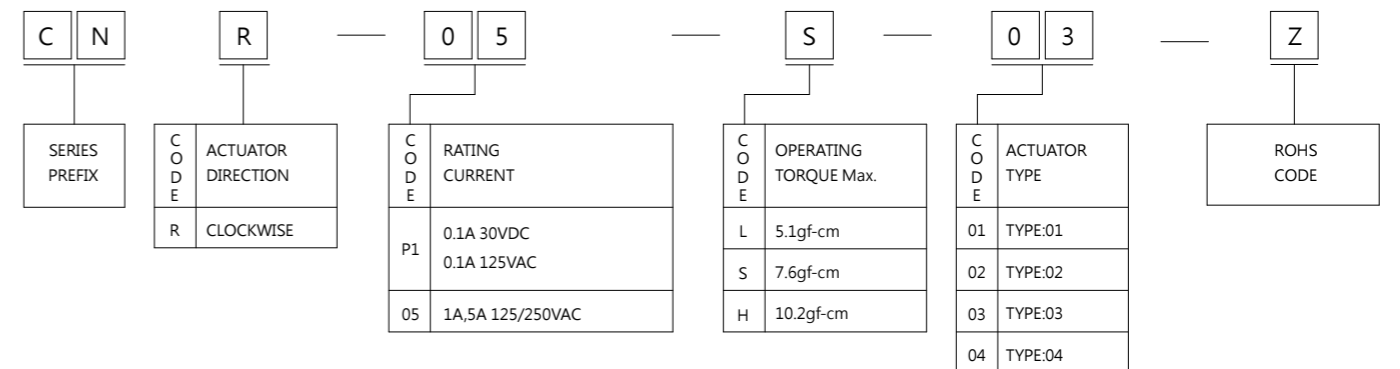
Model Name	UL	CSA
CNR-P1 CNR-05	0.1A 30VDC 1A/5A 125/250VAC (Temp:65°C) Min. 6,000 operations	0.1A 30VDC/125VAC 1A/5A 125/250VAC Min. 6,000 operations

THE SELECTION OF RATING & FORCE

MODEL	Rating	L	S	H
CNR	0.1A	*	*	*
	1A	*	*	*
	5A	*	*	*

NOTE : The Symbol " * " to represent the result is accepted

ORDERING INFORMATION



OPERATING CHARACTERISTICS

Type	L	S	H
Operating Force(OF)Max	5.1 gf	7.6 gf	10.2 gf
Releasing Force(RF)Min.	0.6 gf	0.9 gf	1.3 gf
Operating Position(OP)	18±3°		
Releasing Position(RP)	9±4°		