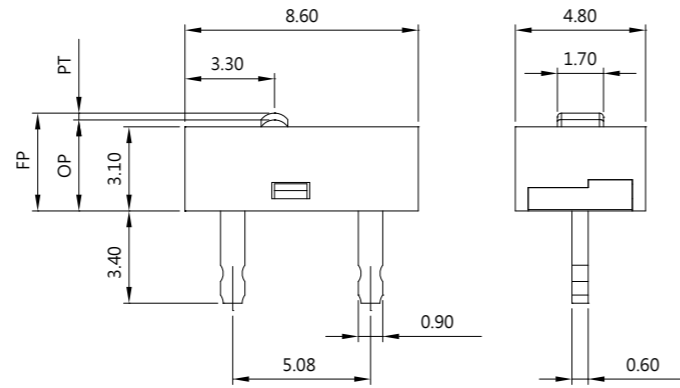




## DIMENSIONS

Unless otherwise specified, a tolerance of  $\pm 0.4\text{mm}$  applies to all dimensions.



## DA SERIES

### SPECIFICATIONS

#### Contact Resistance(initial)

Max. 100 m $\Omega$   
Measured by ohm meter - open voltage < 1VDC, driver current -100 mA

#### Insulation Resistance(at 250 VDC / minute)

Min. 100 M $\Omega$

#### Dielectric Strength

600VAC(50~60Hz)

#### Storage Temperature Range

-40°C to 85°C (with no icing)

#### Storage Humidity

At 40°C, Max. 85% R.H

#### Operating Temperature Range

-40°C to 85°C (with no icing)

#### Vibration

10~55Hz, displacement 0.75 mm(p-p)

#### Electrical Service Life

Min. 5,000,000 operations

#### Electrical Operating Frequency

120 operations per minute

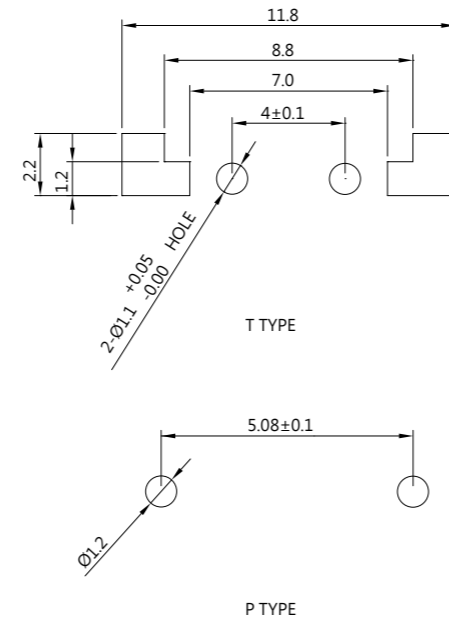
### RATING

0.1A 30VDC

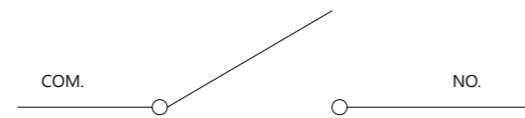
### APPLICATIONS

Mouse, Digital Pen

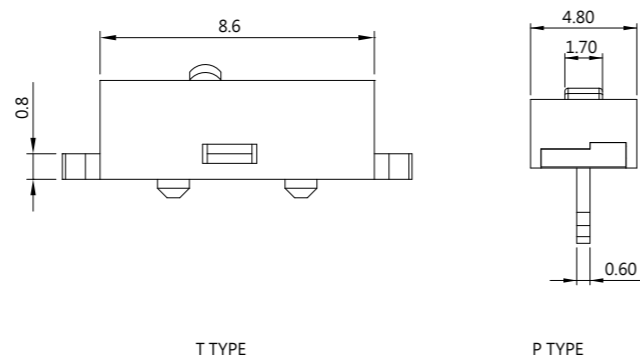
## MOUNTING HOLES



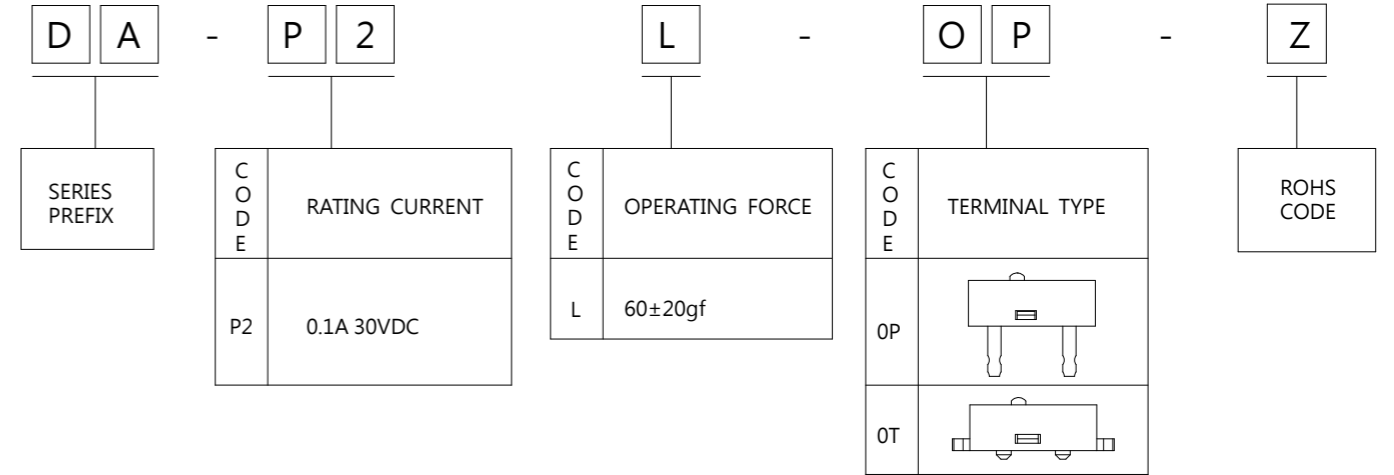
## CONTACT CONFIGURATION



## TERMINAL TYPES



## ORDERING INFORMATION



## OPERATING CHARACTERISTICS

SWITCH TYPE	PART SUFFIX	OF (gf)	OP (mm)	PT Max. (mm)	OT Min. (mm)	FP Max. (mm)	MD Max. (mm)	RF Min. (gf)
DA-P2L-0 □ -Z		60±20	3.35 <sup>+0.2</sup> <sub>-0.15</sub>	0.65	0.1	3.60±0.15	0.12	20