

# WATER PROOF SWITCHES



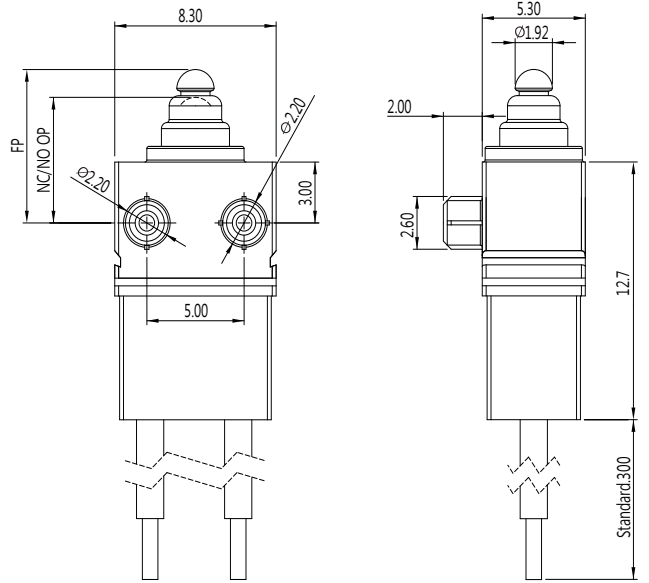
## DW33(IP67) SERIES

### APPLICATIONS

- Automobiles  
(detection of door opening and closing and shift lever position, etc.)
- Household appliances  
(propane stoves, vacuum cleaners, air conditioners, Washing machines, etc.)

### DIMENSIONS

Unless otherwise specified, a tolerance of  $\pm 0.4\text{mm}$  applies to all dimensions.



### ORDERING INFORMATION

