

G21系列 / G21 Series



双断微动开关

DPDT Limit Micro Switch

■ 特点/Features

- ◆ 长寿命, 高可靠性 -Long Life, High Reliability
- ◆ 双断型转换机构 -DPDT Double -Break Type
- ◆ 广泛应用于工业控制等领域 -Widely used in Industry Control, etc.

■ 应用/Application

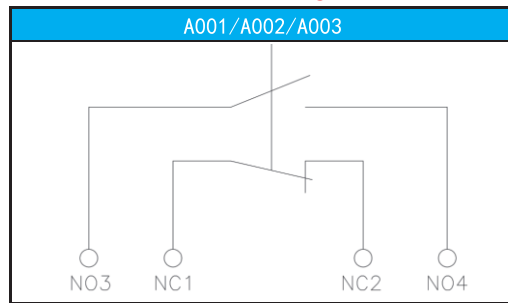
- ◆ 通讯工具, 野外作业车辆等 Communication tools, field work vehicles, etc.

■ 特性参数/Parameters

额定值/Rating		DC14:6A 12VDC;2A 24VDC0.6A55VDC
操作频率 Operating Frequency	电气/Electrical	60次/分钟 cycles/minute
	机械/Mechanical	180次/分钟cycles/minute
初始接触电阻/Contact Resistance (Initiative)		>100mΩ
绝缘电阻/Insulation Resistance (at500VDC)		100MΩ Min
寿命/Service Life	电气/Electrical	1000,000次/cycles
	机械/Mechanical	3000,000次/cycles
保存温度/Storage Temperature		-30°C ~ 85°C
保存湿度/Storage Humidity		95%RH Max
工作温度/Operating Temperature Range		-30°C ~ 65°C

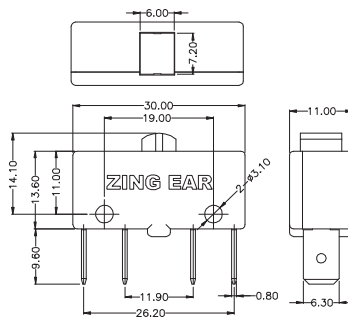
ZING EAR

■ 接触形式图 /Circuit Configuration



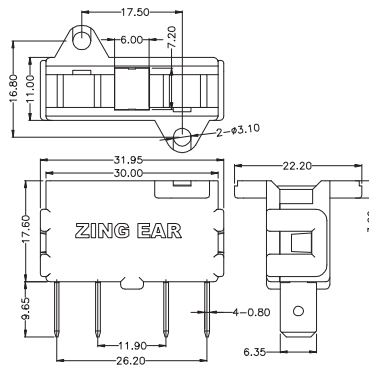
■ 外形尺寸和操作特征Dimensions and Operating Characteristics

◆ G21 A001



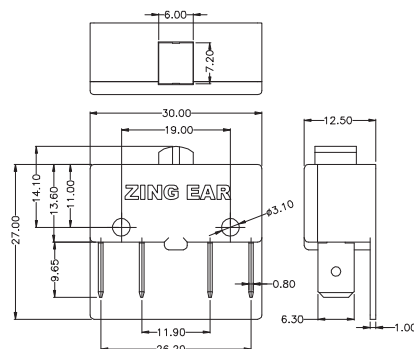
型号 /Part Number	PT (mm)Max	OT (mm)Min	DT (mm)Max	OF (gf)Max
G21 A001	1.50	0.70	1.00	250

◆ G21 A002



型号/Part Number	PT (mm)Max	OT (mm)Min	DT (mm)Max	OF (gf)Max
G21 A002	1.50	0.70	1.00	250

◆ G21 A003



型号 /Part Number	PT (mm)Max	OT (mm)Min	DT (mm)Max	OF (gf)Max
G21 A003	1.50	0.70	1.00	250