

RLEIL ROCKER SWITCH

Specification:

(G) : 6 (2) A 250VAC T125/55 1E4
10A 125VAC

(H) : 10 (4) A 250VAC T125/55 1E4
10 (2) A 250VAC T85/55 5E4

16A 125V/10A 250VAC 1/3HP 125-250VAC T105



RL3-221-G-2-BK/BK-P5
ON-OFF 4P DPST



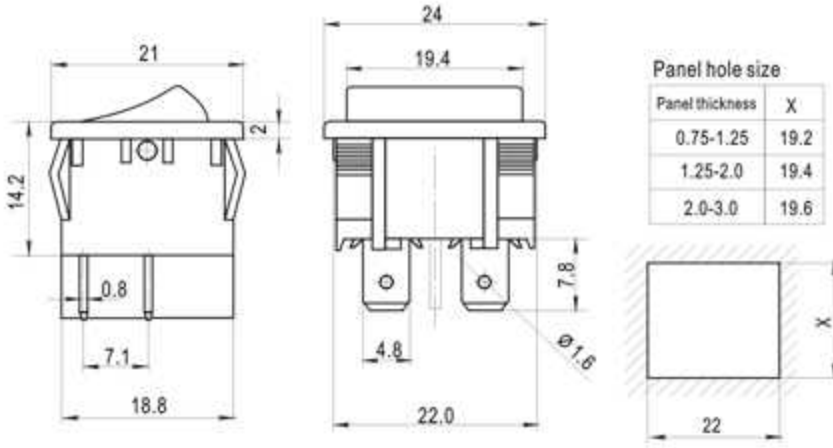
RL3-223-G-6-BK/BK-P5
ON-OFF-ON 6P DPDT



RL3-221/N-G-2-RE/BK-P5
ON-OFF 4P DPST



RL3-2 PVC-CAP



EXPLANATION MODEL NUMBER

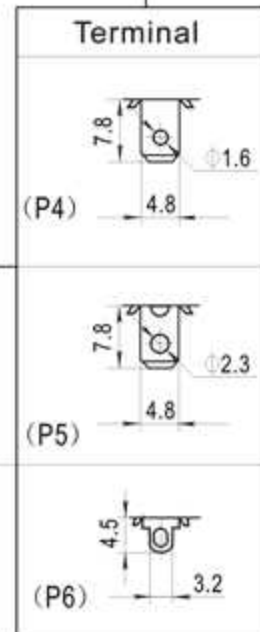
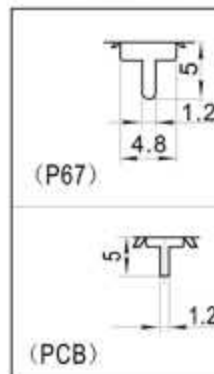
RL3-2 - 21/N - G - 2 - BK/BK - P5 - 0

| Function | |
|----------|------------------|
| 21/N | ON-OFF 4P w/lamp |
| 21 | ON-OFF |
| 22 | ON-ON |
| 23 | ON-OFF-ON |
| 21(ON) | (ON)-OFF |
| 21(OFF) | ON-(OFF) |
| 22(ON) | (ON)-ON |

| Rating | |
|--------|--------------------------|
| G | 10A 125VAC 6A 250VAC |
| H | 16A 125VAC 10A 250VAC |

| Cap Printing | |
|--------------|-------------|
| 0 | None |
| 1 | |
| 2 | |
| 3 | |
| 4 | |
| 5 | |
| 6 | |
| 7 | |
| 8 | |
| 15 | |

| Color Cap/Housing | |
|-------------------|-------|
| BK | Black |
| WT | White |
| RE | Red |
| GE | Grey |



| | |
|---|---------|
| O | Nothing |
| P | PVC-Cap |