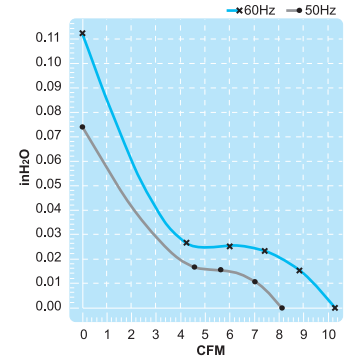
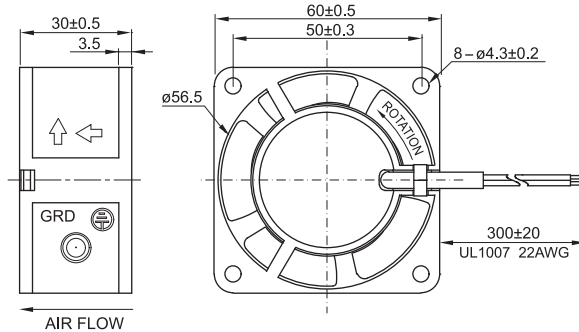


# UF60D Series

Size : 60 x 60 x 30  
Unit : mm



## Impedance Protection

## Lead Wire Type Only



Spec. Model	Rated Voltage V	Frequency Hz	Input Power W	Rated Current A	Locked Current A	Speed RPM	Maximum Air Flow m <sup>3</sup> /min.	Maximum Air Flow CFM	Maximum Pressure mmH <sub>2</sub> O	Maximum Pressure InchH <sub>2</sub> O	Noise dB	Weight kg
UF60D10-H	100V	50	5	0.050	0.055	2400	0.23	8.10	1.8	0.07	27	0.14
		60	4	0.040	0.045	3000	0.29	10.24	2.8	0.11	28	
UF60D11-H	115V	50	5	0.042	0.042	2400	0.23	8.10	1.8	0.07	27	0.14
		60	4	0.035	0.040	3000	0.29	10.24	2.8	0.11	28	
UF60D20-H	200V	50	5	0.025	0.027	2400	0.23	8.10	1.8	0.07	27	0.14
		60	4	0.020	0.022	3000	0.29	10.24	2.8	0.11	28	
UF60D23-H	230V	50	5	0.022	0.022	2400	0.23	8.10	1.8	0.07	27	0.14
		60	4	0.016	0.020	3000	0.29	10.24	2.8	0.11	28	