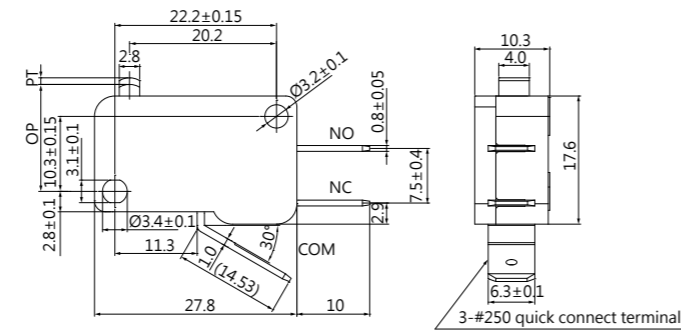


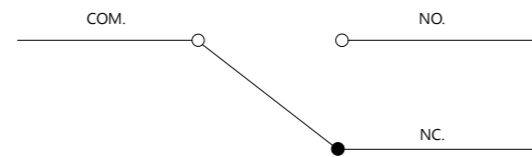


DIMENSIONS

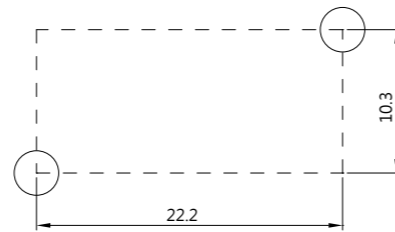
Unless otherwise specified, a tolerance of ±0.4mm applies to all dimensions.



CONTACT CONFIGURATION



MOUNTING HOLES



CERTIFICATE INFORMATION

Model Name	UL, cUL	ENEC14
V3-10H	10A 125/250VAC(Temp:125°C) Min. 10,000 operations	10(4)A 125/250VAC, T125 1E4
V3-16H	16A 125/250VAC(Temp:125°C) Min. 10,000 operations	16(4)A 125/250VAC, T125 1E4
V3-20H	20A 125/250VAC(Temp:125°C) Min. 10,000 operations	20.1A 125/250VAC, T125, 1E4 10.1(8)A 125/250VAC, μT125, 1E4
V3-25H	25A 125/250VAC(Temp:125°C) Min. 10,000 operations	25.1A 125/250VAC, T125, 1E4 10.1(8)A 125/250VAC, μT125, 1E4

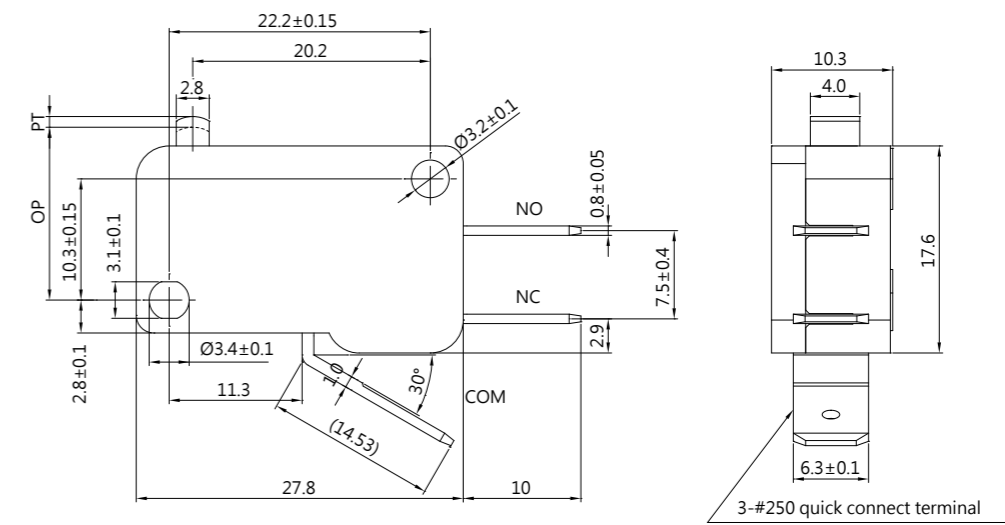
THE SELECTION OF RATING & FORCE

MODEL	Rating	H
V3	10A, 10(4) A	*
	16A, 16(4) A	*
	20.1A, 20.1 A 10.1(8)	*
	25.1A, 25.1 A 10.1(8)	*

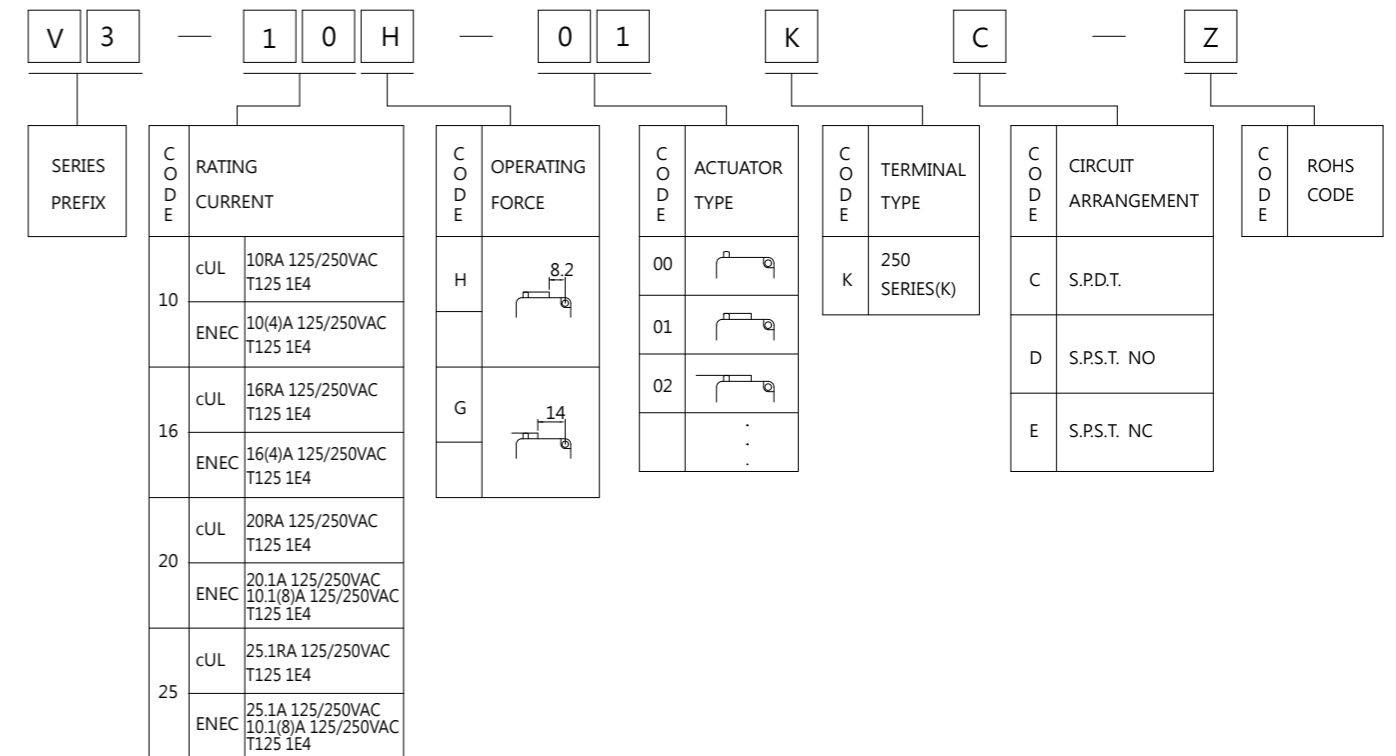
NOTE : The Symbol " * " to represent the result is accepted

TERMINAL TYPES

K TYPE



ORDERING INFORMATION



V3 SERIES

(Full-Disconnection – Gap > 3mm)

SPECIFICATIONS

Contact Resistance(initial)

Max. 30 mΩ
Measured by ohm meter - open voltage < 1VDC, driver current -100 mA

Insulation Resistance (at 500 VDC / minute)

Min. 100 MΩ

Dielectric Strength

1500 VAC(50~ 60 Hz)

Storage Temperature Range

-25°C to 85°C (with no icing)

Storage Humidity

At 40°C, Max. 85% R.H

Operating Temperature Range

-40°C to 125°C (with no icing)

Vibration

10~55 Hz, displacement 0.75 mm(p-p)

Electrical Service Life

All ratings - Min. 10,000 operations

Electrical Operating Frequency

All ratings - 10~30 operations per minute

Mechanical Service Life

Min. 5,000,000 operations

Mechanical Operating Frequency

120 operations per minute

APPLICATIONS

Joystick, TV Game, Time Recorder, Air Conditioner, Food Processor, Juice Maker, Alarm, Mixer, Shredder Machine, Power Tool

OPERATING CHARACTERISTICS

SWITCH TYPE	PART SUFFIX	OF Max. (gf)			OP (mm)	PT Max. (mm)	OT Min. (mm)	MD Max. (mm)
		L	S	H				
		K	R	G				
V3- □□□ -00 □□ -Z		-	-	842	14.4±0.5	1.90	0.70	1.20
		-	-	-	-	-	-	-
V3- □□□ -01 □□ -Z		-	-	728	15.0±0.8	2.40	0.50	1.40
		-	-	377	15.0±1.2	4.10	0.90	1.70
V3- □□□ -02 □□ -Z		-	-	374	15.0±1.5	4.80	1.00	2.70
		-	-	194	15.0±2.3	8.0	1.70	3.30
V3- □□□ -03 □□ -Z		-	-	203	15.0±2.8	8.9	1.80	5.10
		-	-	106	15.0±4.3	15.0	3.10	6.20
V3- □□□ -04 □□ -Z		-	-	419	18.4±1.3	4.30	0.90	2.40
		-	-	218	18.4±2.0	7.20	1.50	2.90
V3- □□□ -05 □□ -Z		-	-	842	20.4±0.7	2.20	0.40	1.20
		-	-	422	20.4±1.0	3.70	0.80	1.50
V3- □□□ -06 □□ -Z		-	-	397	20.4±1.4	4.50	0.90	2.60
		-	-	206	20.4±2.2	7.60	1.60	3.10