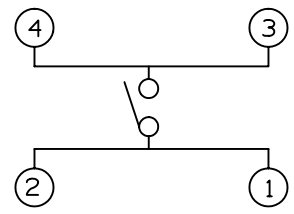
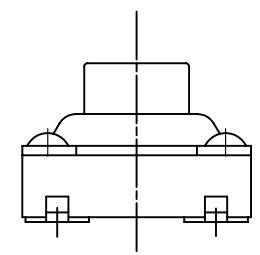
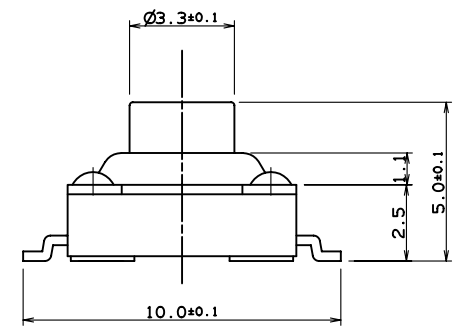


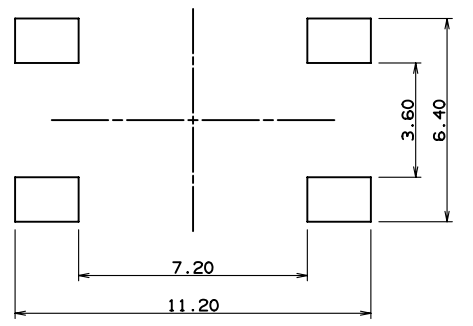
CIRCUIT DIAGRAM



MODEL	"L"
MT 1170S	4.3mm
MT 1170SA	5.0mm
MT 1170SB	9.0mm
MT 1170SF	7.0mm



P.C.B DIMENSION



NOTE

1. OPERATING FORCE : 200 ± 50gf
2. GENERAL TOLERANCE : ± 0.3
3. TRAVEL : 0.25 ± 0.1mm
4. CONTACT RESISTANCE : 100mΩ Max
5. MOISTURE PROOF TYPE

No.	PART NAME	Q'TY	MATERIAL	SCALE	MODEL	TREAT.	REMARKS
5			3RD ANGLE PROJECTION	UNIT m/m	1		MT 1170SA-2
3			APPROVED	CHECKED	DESIGNED		DWG. NAME ASS'Y DIAGRAM
2							DWG. NO.
1							
NO.	DATE	NOTE	SIGN				