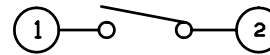
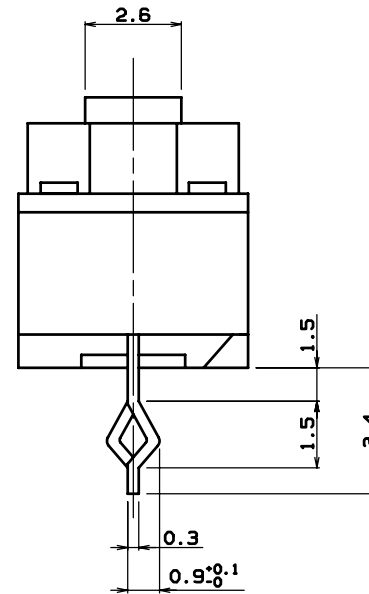
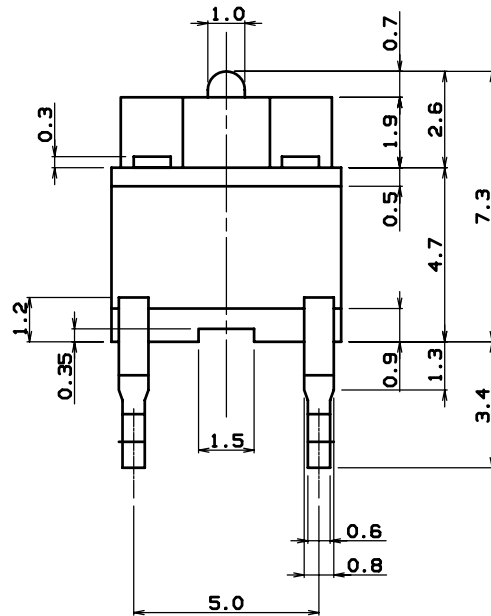


CIRCUIT DIAGRAM

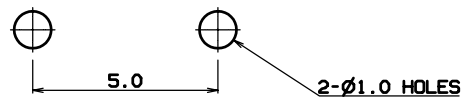


NOTE

- 1. OPERATING FORCE : 60 ±20gf
- 2. TRAVEL : 0.5mm Max
- 3. CONTACT RESISTANCE : 100mΩ MAX
- 4. RATING : DC 30V 50mA



P.C.B LAND DIMENSION



No.	PART NAME	Q'TY	MATERIAL	UNIT	SCALE	MODEL	TREAT.	REMARKS
⚠				3RD ANGLE PROJECTION	m/m	1		MT 1175
⚠				APPROVED	CHECKED	DESIGNED		DWG. NAME ASS'Y DIAGRAM
⚠								DWG. NO.
⚠								
NO.	DATE	NOTE	SIGN					